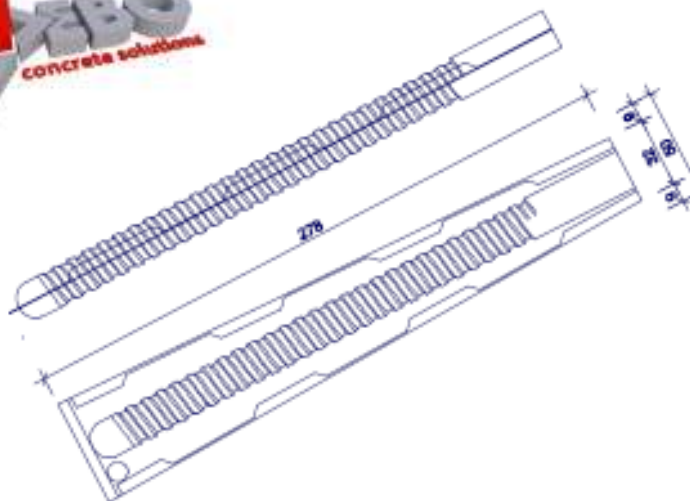


VERLOREN ANKERHULS 45°



Kombi-Sleeve TITAN

Anchoring dowel for formwork works with Thread DW 15.

Certified acc. To DIN 18216

Max. breaking load in B 25 **181 kN**
(breaking of steel thread bar)

Admissible load 90 kN

For large-scale structures a static calculation is available.

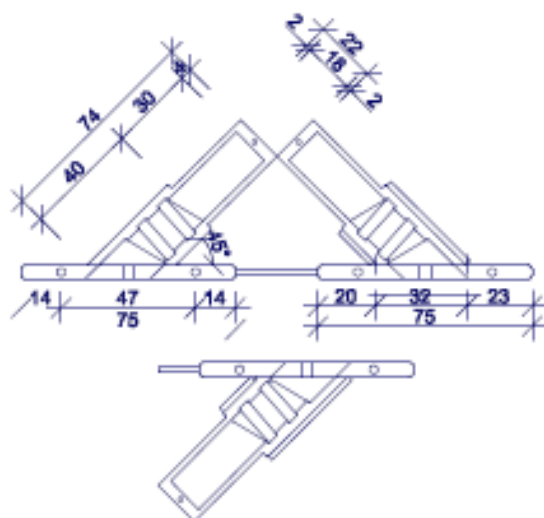
Min. thickness of slab > 25 cm

Min. thickness of wall > 30 cm

For one-sided fastening, bracket scaffoldings, climbn

Can also be supplied in the **quality of Fair-faced concrete**

4 cm concrete cover



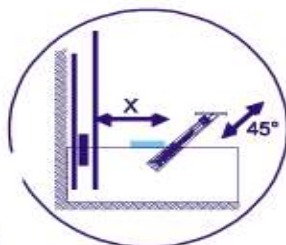
Kombi-Fix 45

Built-in plug for one-sided fastening

anchored in Kombi-Sleeve TITAN

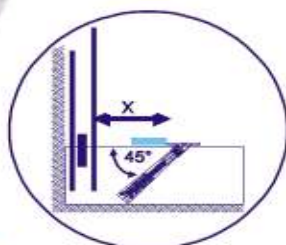
in an angle of 45°, both in bottom slabs/ Ceilings and in walls.

Intergrated D15 thread enabling easy pull-out.



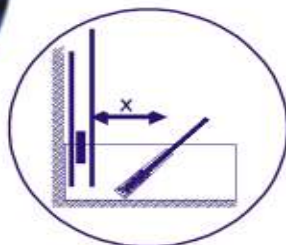
Concrete the first meter on finished height. remove the section vertical and than lay the slat in pitch x to the wall reinforcement.

(x = depending on the type of brace fram and of the used formwork.)



On the slat will the axial of the brace fram (for example PERI 1,08 m – 1,32 m) recorded.

Per brace fram is on the left and right site one kombi-sleeve TITAN with kombi-fix 45 at intervals of > 0,15 m to the axial of the brace fram installed.



The kombi-sleeve TITAN with kombi-fix 45 will be flushed into the concrete on the slat plugged in.

Soon the board of the kombi-fix 45 vertical on the top of the concrete overlie do did the fitting of the kombi-sleeve TITAN in an angle of 45 grade.

Near the power-towel-work, the kombi-fix 45 before the concreting with scotchtape perform.